

ProTek Systems, Inc.

PROTEK SYSTEMS, INC.
1250 WALLACE DR UNIT B
DELRAY BEACH, FL 33444
TELEPHONE: 800-598-2153
FAX: 561-395-4771
SALES@PROTEKMAIL.COM

WPAD-12 DIAMOND PLATE WALL SYSTEM

FEATURES:

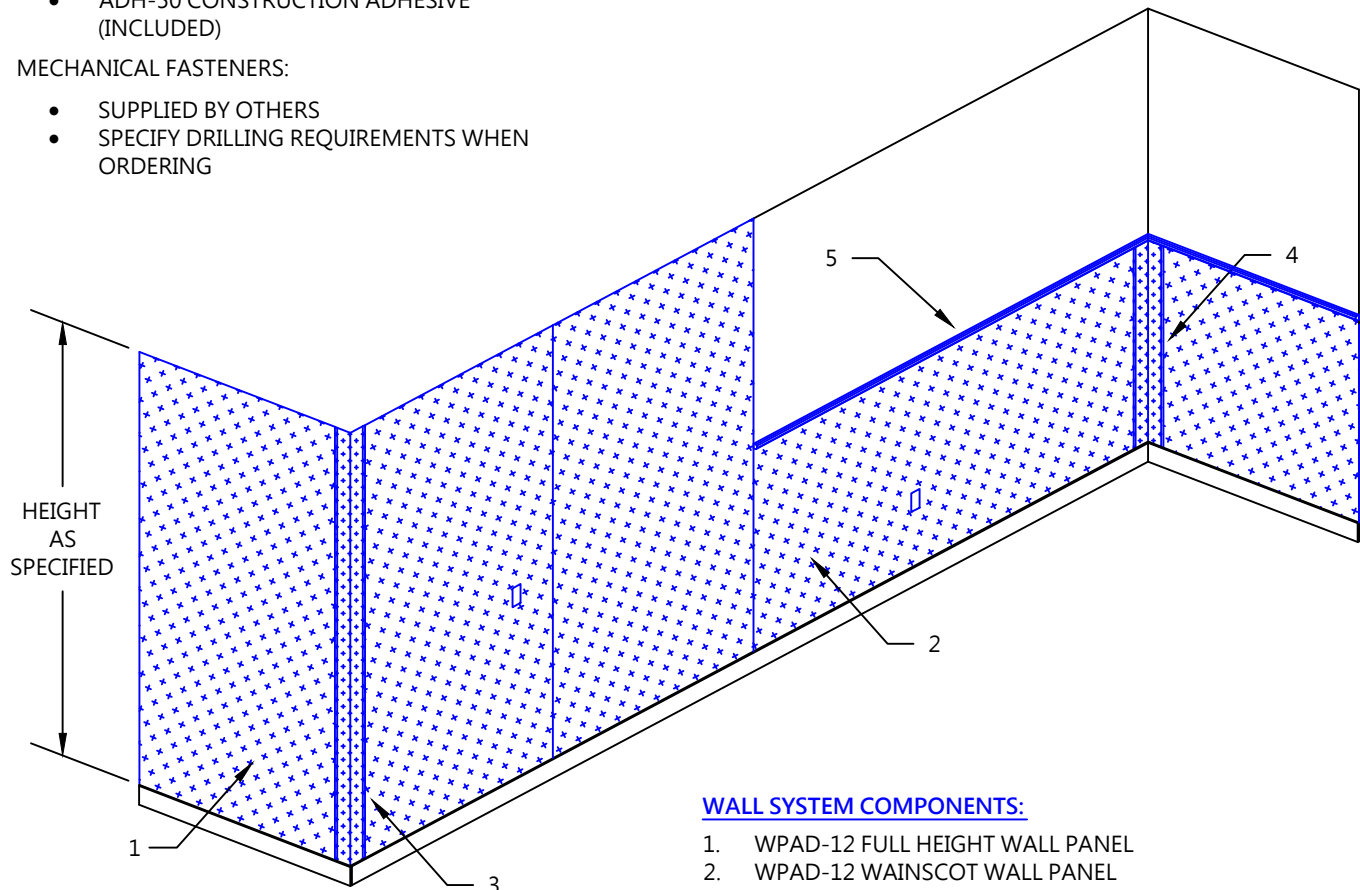
- GRADE 3003 BRIGHT FINISH ALUMINUM DIAMOND PLATE
- WAINSCOT OR FULL HEIGHT INSTALLATION
- BUTT SEAMS
- CUSTOM HEIGHTS AND ANGLES AVAILABLE
- OTHER GRADES AND FINISHES AVAILABLE

TYPICAL WALL PANEL SIZES:

- 48" X 96"
- 60" X 96"
- 48" X 120"
- 48" X 144"

MOUNTING OPTIONS:

- ADHESIVE:
 - ADH-50 CONSTRUCTION ADHESIVE (INCLUDED)
- MECHANICAL FASTENERS:
 - SUPPLIED BY OTHERS
 - SPECIFY DRILLING REQUIREMENTS WHEN ORDERING



WALL SYSTEM COMPONENTS:

1. WPAD-12 FULL HEIGHT WALL PANEL
2. WPAD-12 WAINSCOT WALL PANEL
3. WPAD-12-OCG-50 OUTSIDE CORNER
4. WPAD-12-ICG-50 INSIDE CORNER
5. EB-1 HIGH IMPACT TOP CAP

CUSTOMER:

PROJECT:

ARCHITECT:

SALES REP:

WPAD-12

ProTek Systems, Inc.

PROTEK SYSTEMS, INC.
1250 WALLACE DR UNIT B
DELRAY BEACH, FL 33444
TELEPHONE: 800-598-2153
FAX: 561-395-4771
SALES@PROTEKMAIL.COM

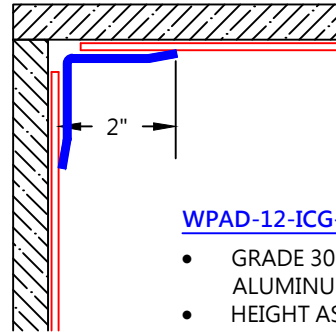
WPAD-12 DIAMOND PLATE WALL SYSTEM

FEATURES:

- GRADE 3003 BRIGHT FINISH ALUMINUM DIAMOND PLATE
- WAINSCOT OR FULL HEIGHT INSTALLATION
- BUTT SEAMS
- CUSTOM HEIGHTS AND ANGLES AVAILABLE
- OTHER GRADES AND FINISHES AVAILABLE

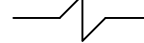
MOUNTING OPTIONS:

- ADHESIVE:
 - ADH-50 CONSTRUCTION ADHESIVE (INCLUDED)
- MECHANICAL FASTENERS:
 - SUPPLIED BY OTHERS
 - SPECIFY DRILLING REQUIREMENTS WHEN ORDERING



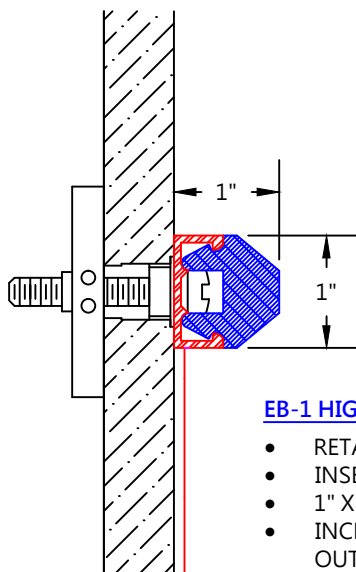
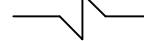
WPAD-12-ICG-50 INSIDE CORNER:

- GRADE 3003 BRIGHT FINISH ALUMINUM DIAMOND PLATE
- HEIGHT AS SPECIFIED
- 2" WING SIZE
- CUSTOM WINGS SIZES AVAILABLE
- CUSTOM ANGLES AVAILABLE



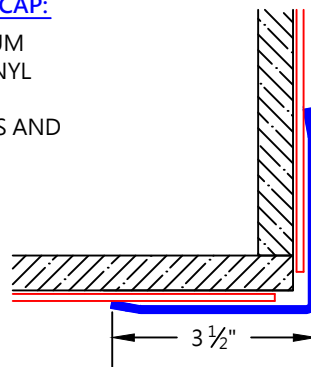
BUTT SEAMS:

- FACTORY EDGES RECOMMENDED
- SEAL WITH CAULK IF NECESSARY



EB-1 HIGH-IMPACT TOP CAP:

- RETAINER: ALUMINUM
- INSERT: FLEXIBLE VINYL
- 1" X 1" PROFILE
- INCLUDES END CAPS AND OUTSIDE CORNERS



WPAD-12-OCG-50 OUTSIDE CORNER:

- GRADE 3003 BRIGHT FINISH ALUMINUM DIAMOND PLATE
- HEIGHT AS SPECIFIED
- 3 1/2" WING SIZE
- CUSTOM WINGS SIZES AVAILABLE
- CUSTOM ANGLES AVAILABLE

CUSTOMER:

PROJECT:

ARCHITECT:

SALES REP:

WPAD-12