

ProTek Systems, Inc.

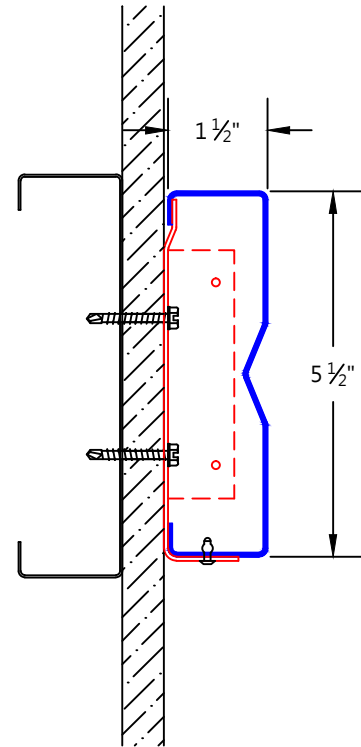
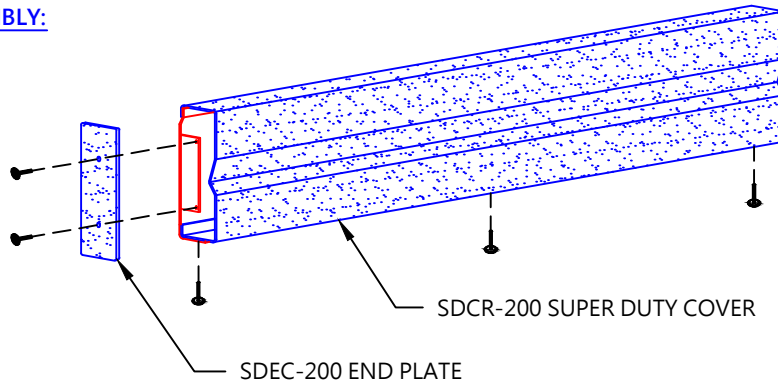
PROTEK SYSTEMS, INC.
 1250 WALLACE DR UNIT B
 DELRAY BEACH, FL 33444
 TELEPHONE: 800-598-2153
 FAX: 561-395-4771
 SALES@PROTEKMAIL.COM

SDCR-200 SUPER DUTY WALL GUARD

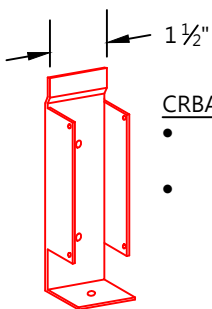
FEATURES:

- COVER: ALLOY 5052-H32 .063" THICK ALUMINUM COATED WITH SUPER DUTY POLYUREA
- END PLATES: ALLOY 5052-H32 .125" THICK ALUMINUM COATED WITH SUPER DUTY POLYUREA
- BRACKETS: ALLOY 5052-H32 .063" THICK ALUMINUM
- STOCK LENGTHS: 8FT OR 10FT
- ALL RUNS TERMINATE WITH END PLATES
- END PLATES FASTEN DIRECTLY TO WALL BRACKETS
- CUSTOM LENGTHS AND HEIGHTS AVAILABLE
- OTHER FINISHES AVAILABLE
- WALL FASTENERS BY OTHERS

ASSEMBLY:

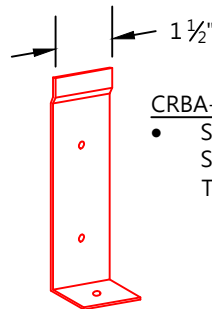


STANDARD BRACKET OPTIONS:



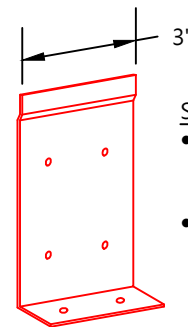
CRBAE-200 BRACKET

- SECURES SDCR-200 SUPER DUTY COVER TO WALL
- WINGS ALLOW FOR END PLATE ATTACHMENT



CRBA-200 BRACKET

- SECURES SDCR-200 SUPER DUTY COVER TO WALL



SPLA-200 SPLICE

- SECURES SDCR-200 SUPER DUTY COVER TO WALL
- TO BE USED AT SEAMS WHERE SDCR-200 SUPER DUTY COVERS MEET

CUSTOMER:

PROJECT:

ARCHITECT:

SALES REP:

SDCR-200