

# ProTek Systems, Inc.

PROTEK SYSTEMS, INC.  
 1250 WALLACE DR UNIT B  
 DELRAY BEACH, FL 33444  
 TELEPHONE: 800-598-2153  
 FAX: 561-395-4771  
 SALES@PROTEKMAIL.COM

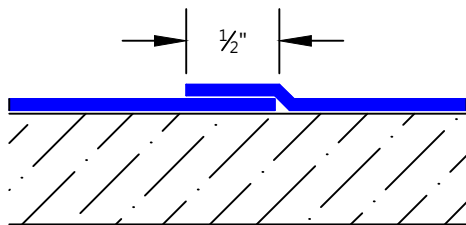
## WPAM-12 ANTIMICROBIAL POWDER COATED WALL SYSTEM

### FEATURES:

- ALLOY 5052-H32 .063" ALUMINUM WITH ANTIMICROBIAL POWDER COAT FINISH
- 1/2" OFFSET CONSTRUCTION
- STOCK SIZES: 4FT X 8FT OR 4FT X 10FT SHEETS
- CUSTOM HEIGHTS AND ANGLES AVAILABLE
- OTHER FINISHES AVAILABLE

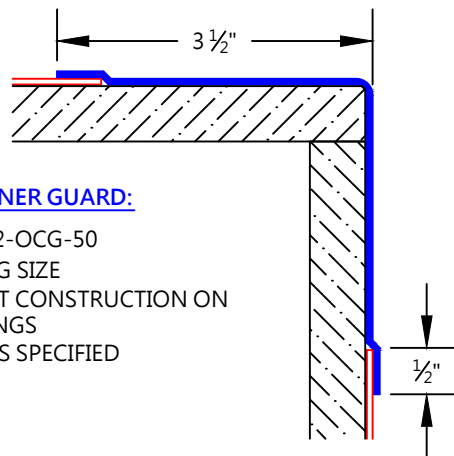
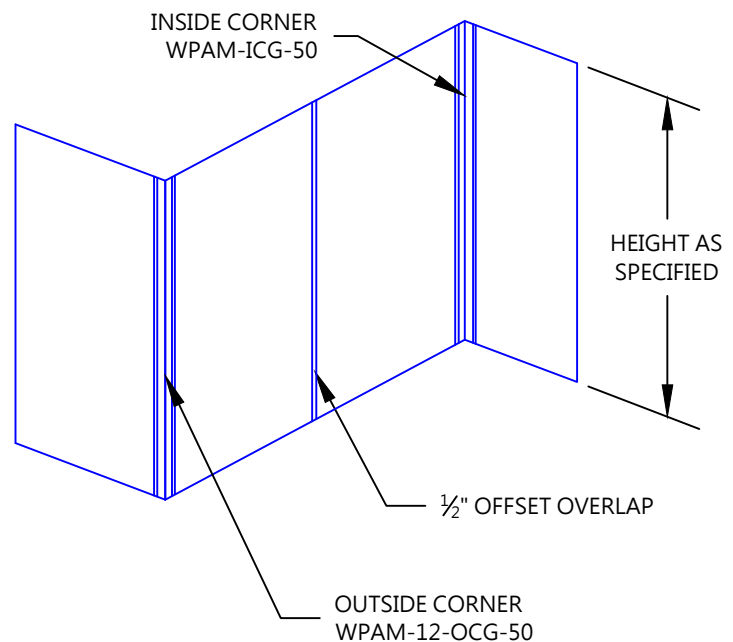
### MOUNTING OPTIONS:

- ADHESIVE
  - ADH-50 CONSTRUCTION ADHESIVE (SUPPLIED SEPARATELY AS REQUIRED)
- DRILLED
  - SPECIFY DRILLING REQUIREMENTS WHEN ORDERING



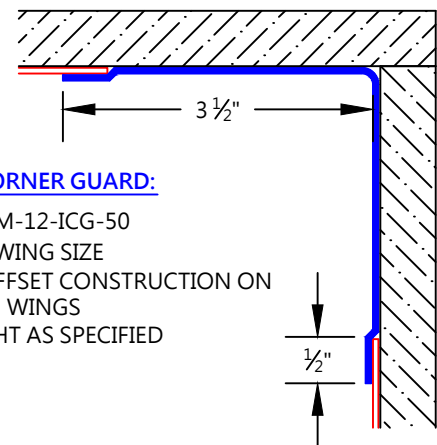
### JOINT DETAIL:

- 1/2" OFFSET OVERLAP



### OUTSIDE CORNER GUARD:

- WPAM-12-OCG-50
- 3 1/2" WING SIZE
- 1/2" OFFSET CONSTRUCTION ON BOTH WINGS
- HEIGHT AS SPECIFIED



### INSIDE CORNER GUARD:

- WPAM-12-ICG-50
- 3 1/2" WING SIZE
- 1/2" OFFSET CONSTRUCTION ON BOTH WINGS
- HEIGHT AS SPECIFIED

CUSTOMER:

PROJECT:

ARCHITECT:

SALES REP:

# WPAM-12