

# ProTek Systems, Inc.

PROTEK SYSTEMS, INC.  
1250 WALLACE DR UNIT B  
DELRAY BEACH, FL 33444  
TELEPHONE: 800-598-2153  
FAX: 561-395-4771  
SALES@PROTEKMAIL.COM

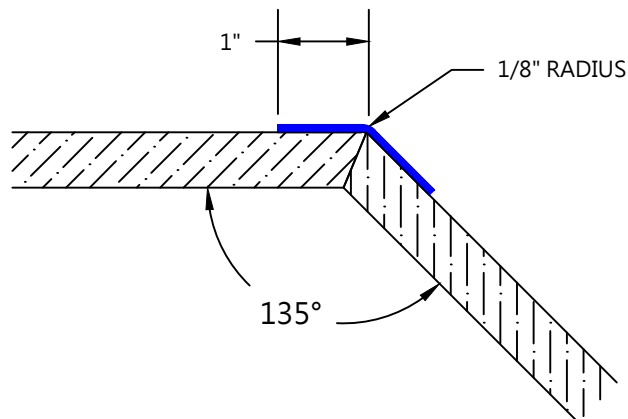
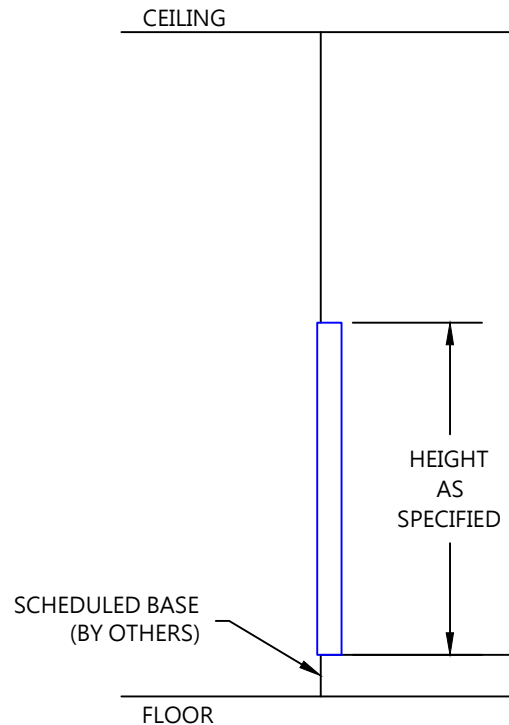
## CGAM-403 ANTIMICROBIAL CORNER GUARD

### FEATURES:

- ALLOY 5052-H32 .080" ALUMINUM WITH ANTIMICROBIAL POWDER COAT FINISH
- STOCK LENGTHS: 4FT, 8FT, OR 10FT
- CUSTOM WING SIZES AVAILABLE
- CUSTOM HEIGHTS AND ANGLES AVAILABLE
- OTHER FINISHES AVAILABLE

### MOUNTING OPTIONS:

- ADHESIVE:
  - ADH-50 CONSTRUCTION ADHESIVE (SUPPLIED SEPARATELY AS REQUIRED)



CUSTOMER:

PROJECT:

ARCHITECT:

SALES REP:

**CGAM-403**