

ProTek Systems, Inc.

PROTEK SYSTEMS, INC.
 1250 WALLACE DR UNIT B
 DELRAY BEACH, FL 33444
 TELEPHONE: 800-598-2153
 FAX: 561-395-4771
 SALES@PROTEKMAIL.COM

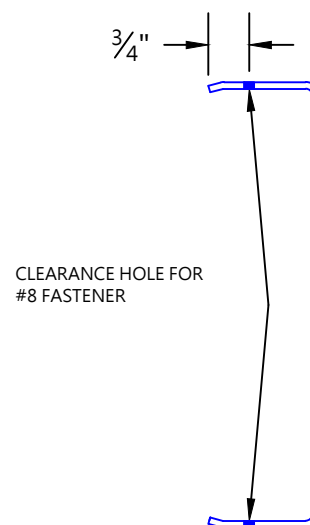
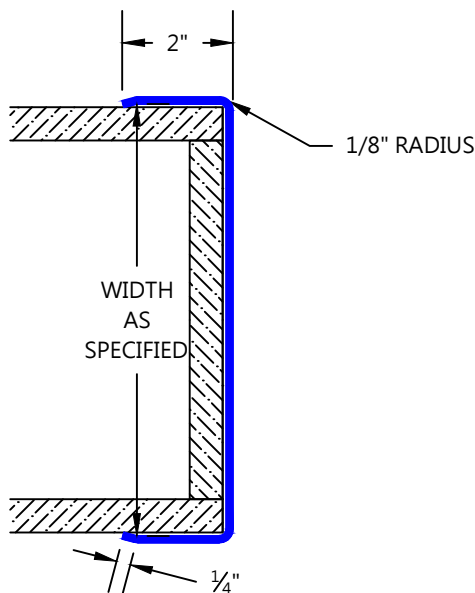
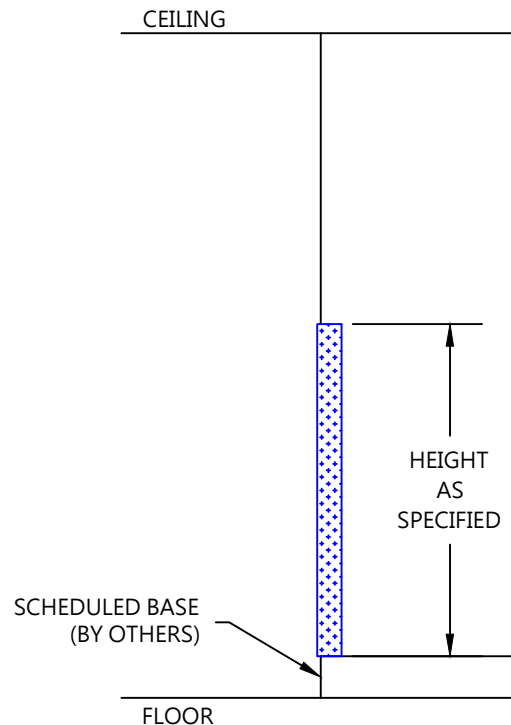
CGAD-51-EW ALUMINUM DIAMOND PLATE END WALL GUARD

FEATURES:

- 1/8" THICK GRADE 3003 BRIGHT FINISH ALUMINUM DIAMOND PLATE
- STOCK LENGTHS: 4FT, 8FT, OR 10FT
- CUSTOM WING SIZES AVAILABLE
- CUSTOM HEIGHTS AND ANGLES AVAILABLE
- OTHER FINISHES AVAILABLE

MOUNTING OPTIONS:

- ADHESIVE:
 - ADH-50 CONSTRUCTION ADHESIVE (SUPPLIED SEPARATELY AS REQUIRED)
- DRILLED:
 - CLEARANCE HOLES FOR #8 FASTENER
 ABS-11 #8 X 1 1/2" OVAL HEAD SHEET METAL SCREW AND ABCW-132 STAINLESS CUP WASHER (FASTENERS BY OTHERS)
 - STANDARD SPACING: 3" FROM EACH END AND SPACED EVENLY NOT TO EXCEED 36" O.C.



CUSTOMER:	PROJECT:	CGAD-51-EW
ARCHITECT:	SALES REP:	