

# ProTek Systems, Inc.

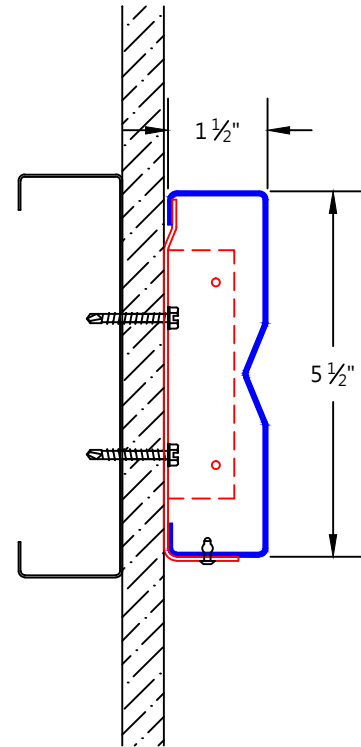
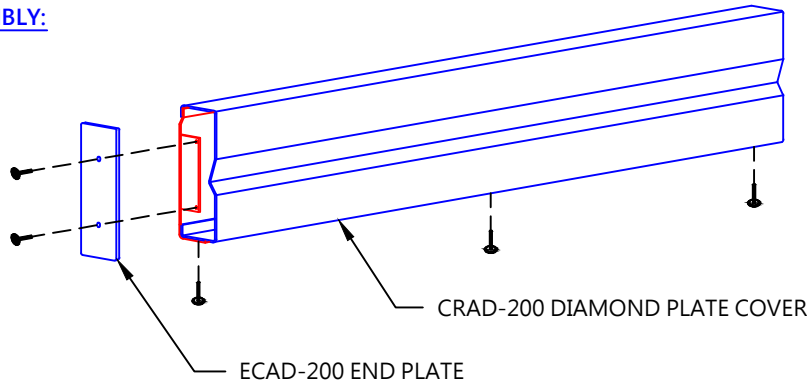
PROTEK SYSTEMS, INC.  
 1250 WALLACE DR UNIT B  
 DELRAY BEACH, FL 33444  
 TELEPHONE: 800-598-2153  
 FAX: 561-395-4771  
 SALES@PROTEKMAIL.COM

## CRAD-200 ALUMINUM DIAMOND PLATE WALL GUARD

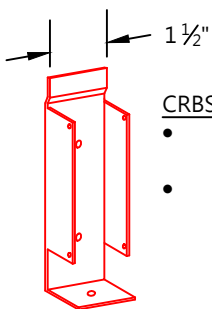
### FEATURES:

- COVER: 1/8" GRADE 3003 BRIGHT FINISH ALUMINUM DIAMOND PLATE
- END PLATES: 1/8" GRADE 3003 BRIGHT FINISH ALUMINUM DIAMOND PLATE
- BRACKETS: 16 GAUGE TYPE 304 #4 SATIN STAINLESS STEEL
- STOCK LENGTHS: 8FT OR 10FT
- ALL RUNS TERMINATE WITH END PLATES
- END PLATES FASTEN DIRECTLY TO WALL BRACKETS
- CUSTOM LENGTHS AND HEIGHTS AVAILABLE
- OTHER FINISHES AVAILABLE
- WALL FASTENERS BY OTHERS

### ASSEMBLY:

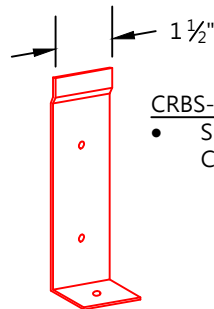


### STANDARD BRACKET OPTIONS:



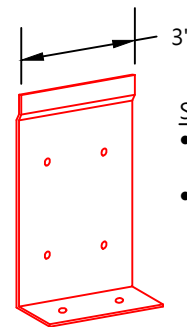
#### CRBSE-200 BRACKET

- SECURES CRAD-200 COVER TO WALL
- WINGS ALLOW FOR END PLATE ATTACHMENT



#### CRBS-200 BRACKET

- SECURES CRAD-200 COVER TO WALL



#### SPL-200 SPLICE

- SECURES CRAD-200 COVER TO WALL
- TO BE USED AT SEAMS WHERE CRAD-200 COVERS MEET

CUSTOMER:

PROJECT:

ARCHITECT:

SALES REP:

# CRAD-200