

# Frame Cover Quote Form

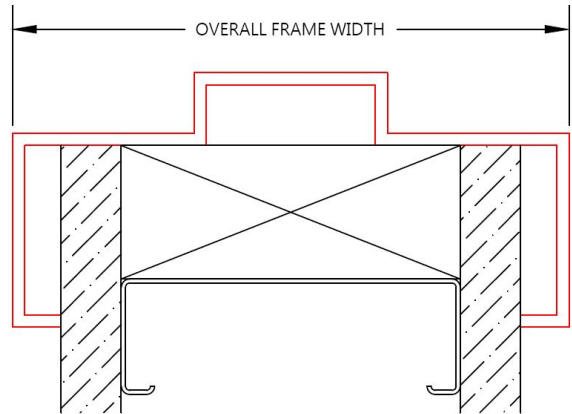
**ProTek Systems, Inc.**

1250 Wallace Dr. Unit B  
Delray Beach, FL 33444  
TF: 1-800-598-2153  
Fax: 1-561-395-4771  
projects@protekmail.com

Company Name: \_\_\_\_\_  
Contact Name: \_\_\_\_\_  
Phone Number: \_\_\_\_\_  
E-Mail: \_\_\_\_\_

Frame Quantity (EA) : \_\_\_\_\_

- Strike Side Only
- Hinge Side Only
- Hinge & Strike Sides
- Whole Frame (Sides & Header)



Overall Frame Width (Inches) : \_\_\_\_\_

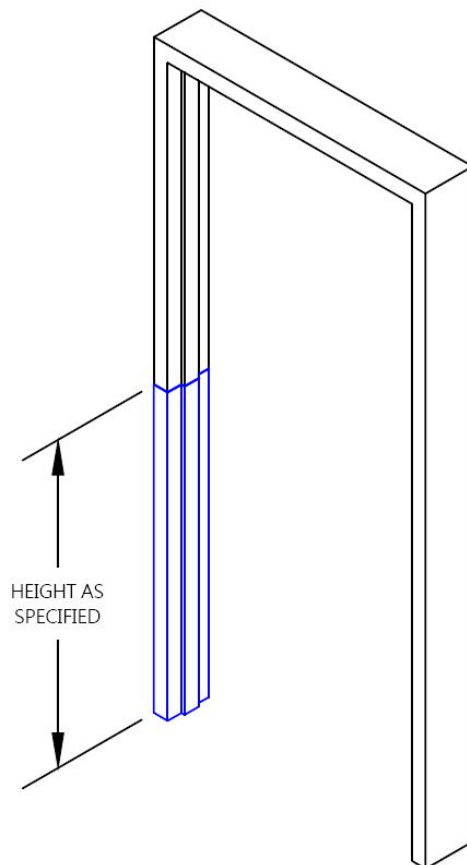
Frame Cover Height (Inches) : \_\_\_\_\_

If Covering Whole Frame (Sides & Header) ...

Width of Door (Inches) : \_\_\_\_\_

Hospital Stop Required?

- Yes
- No



Please save and submit this form via email to [projects@protekmail.com](mailto:projects@protekmail.com) or fax to 561-395-4771