

ProTek Systems, Inc.

PROTEK SYSTEMS, INC.
1250 WALLACE DR UNIT B
DELRAY BEACH, FL 33444
TELEPHONE: 800-598-2153
FAX: 561-395-4771
SALES@PROTEKMAIL.COM

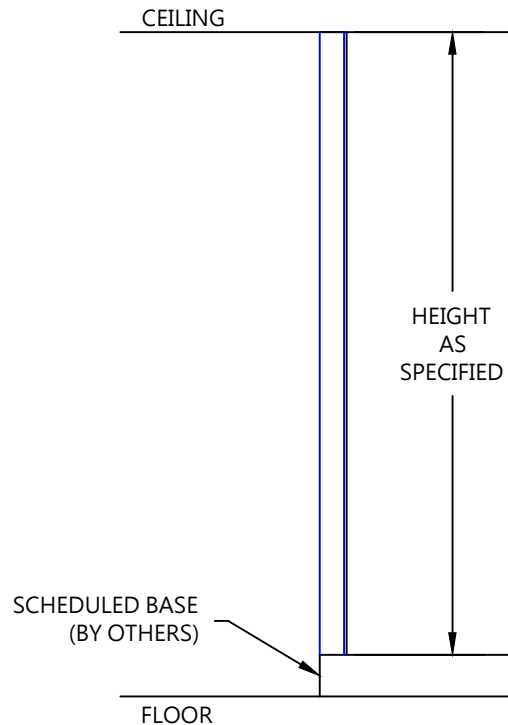
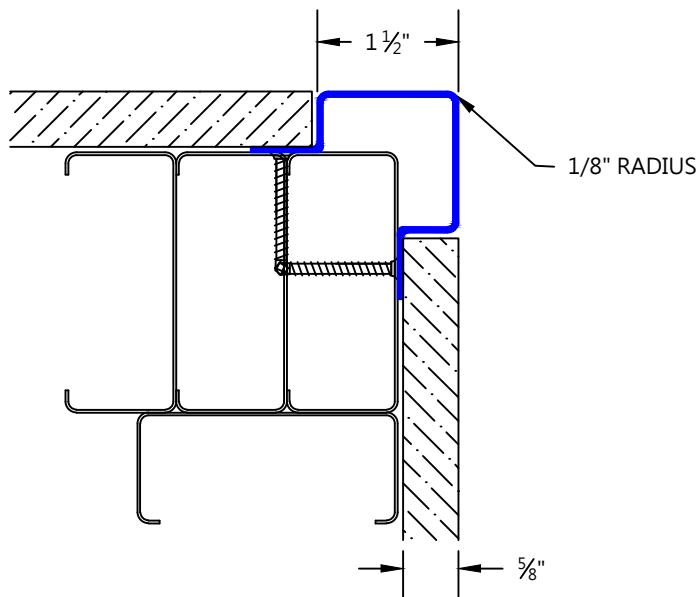
CG-150 STAINLESS STEEL CORNER GUARD

FEATURES:

- 16 GAUGE TYPE 304 #4 SATIN STAINLESS STEEL
- STOCK LENGTHS: 4FT, 8FT, OR 10FT
- CUSTOM WING SIZES AVAILABLE
- CUSTOM HEIGHTS AND ANGLES AVAILABLE
- OTHER FINISHES AVAILABLE

MOUNTING OPTIONS:

- DRILLED:
 - CLEARANCE HOLES FOR #8 FASTENER
ABSS-11 #8 X 1 1/2" OVAL HEAD SHEET METAL
SCREW AND ABCW-132 STAINLESS CUP
WASHER (FASTENERS BY OTHERS)
 - STANDARD SPACING: 3" FROM EACH END
AND SPACED EVENLY NOT TO EXCEED 36"
O.C.



CUSTOMER:	PROJECT:	CG-150
ARCHITECT:	SALES REP:	