

ProTek Systems, Inc.

PROTEK SYSTEMS, INC.
2799 N.W. 2ND AVE
BOCA RATON, FL 33431
TELEPHONE: 800-598-2153
FAX: 561-395-4771
SALES@PROTEKMAIL.COM

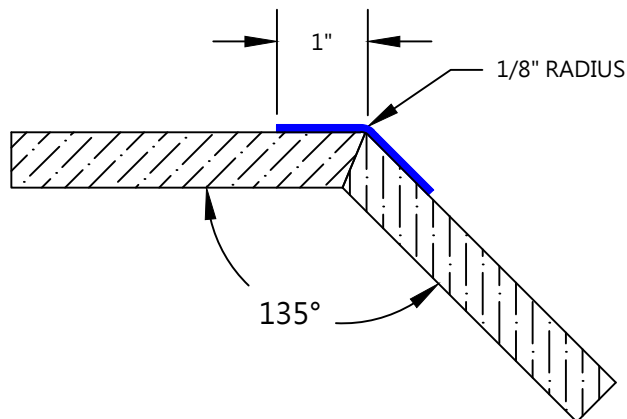
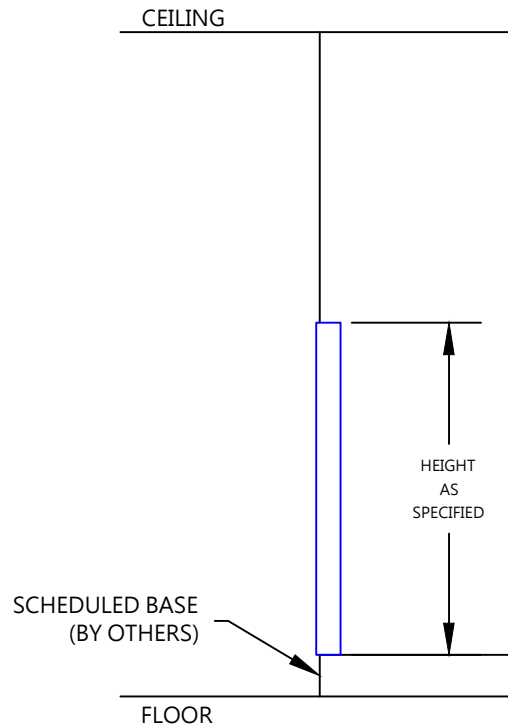
PHOTO CGD-403 DECORATIVE PHOTO CORNER GUARD

FEATURES:

- ALLOY 5052-H32 .080" THICK ALUMINUM WITH POWDER COATED PHOTO FINISH
- STOCK LENGTHS: 4FT OR 8FT
- CUSTOM WING SIZES AVAILABLE
- CUSTOM HEIGHTS AND ANGLES AVAILABLE

MOUNTING OPTIONS:

- ADHESIVE:
 - ADH-50 CONSTRUCTION ADHESIVE (SUPPLIED SEPARATELY AS REQUIRED)



REV. 10/15/2012

CUSTOMER:

PROJECT:

ARCHITECT:

SALES REP:

PHOTO CGD-403