

ProTek Systems, Inc.

PROTEK SYSTEMS, INC.
2799 N.W. 2ND AVE
BOCA RATON, FL 33431
TELEPHONE: 800-598-2153
FAX: 561-395-4771
SALES@PROTEKMAIL.COM

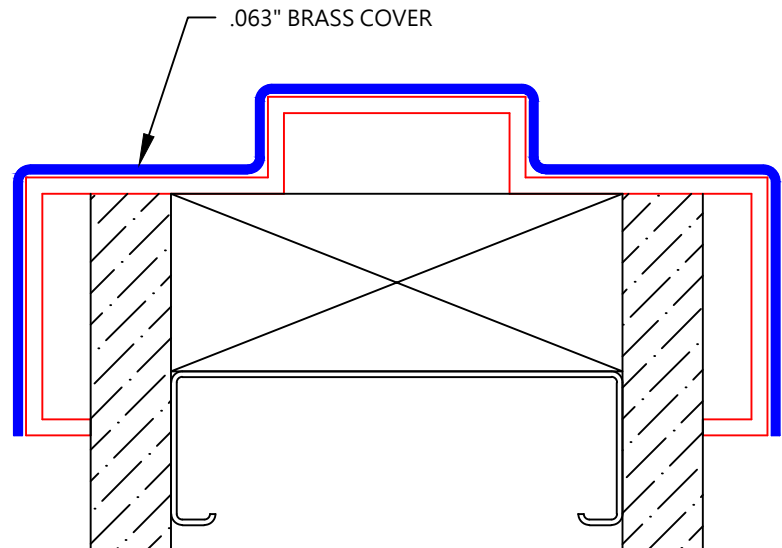
DFCB-60 BRASS DOOR FRAME COVER

FEATURES:

- .063" POLISHED BRASS
- FABRICATED TO CUSTOM MEASUREMENTS
- CUT OUTS FOR HINGES AND STRIKES AVAILABLE
- HOSPITAL STOP OPTION AVAILABLE

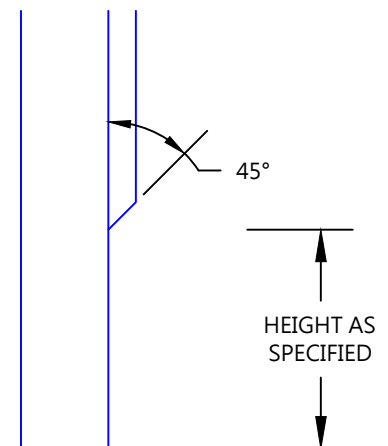
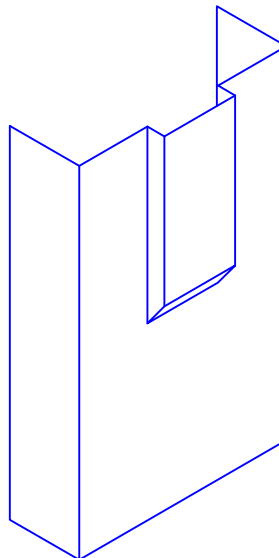
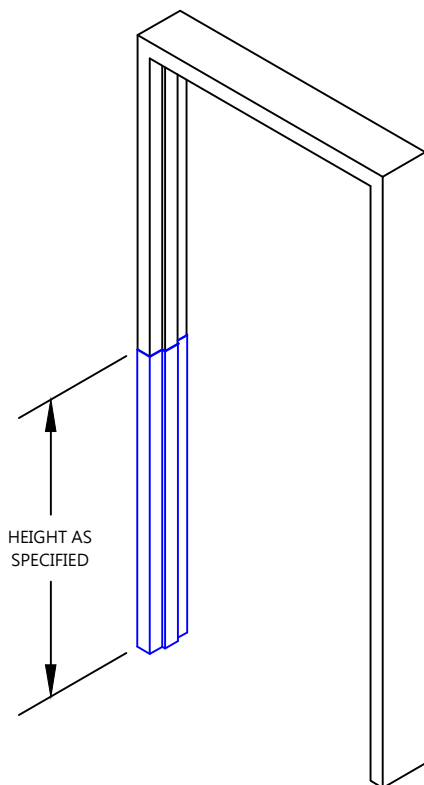
MOUNTING OPTIONS:

- ADHESIVE:
 - ADH-50 CONSTRUCTION ADHESIVE (SUPPLIED SEPARATELY AS REQUIRED)
- DRILLED:
 - SPECIFY DRILLING REQUIREMENTS WHEN ORDERING



OPTIONAL HOSPITAL STOP:

- SPECIFY REQUIREMENTS WHEN ORDERING



REV. 10/15/2012

CUSTOMER:

PROJECT:

ARCHITECT:

SALES REP:

DFCB-60