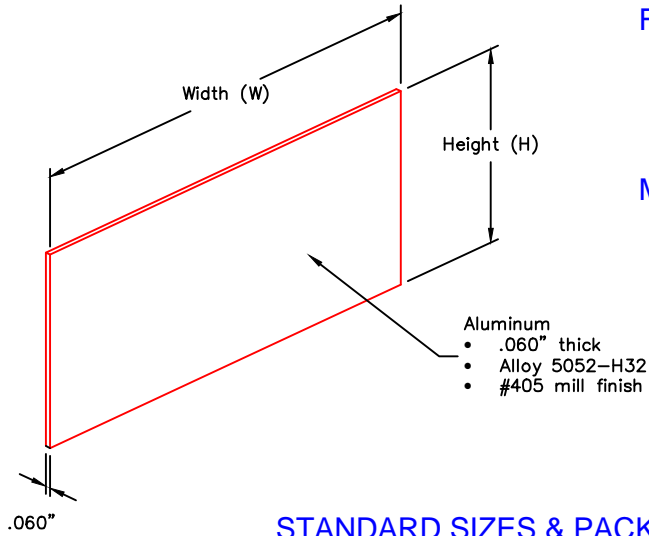


KPA-60 Aluminum Kick Plate



FEATURES:

- .060" mill finish #405 aluminum
- Other finishes available
- Custom sizes are available

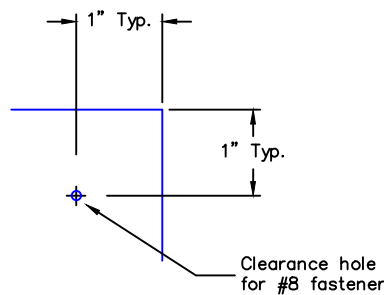
MOUNTING OPTIONS:

- Standard Mounting: Adhesive
 - ADH-50 adhesive supplied separately
- Optional mounting: Drilled
 - Clearance holes for ABSS-112 #8 x 3/4" (19) oval head sheet metal screw and ABCW-132 stainless cup washer supplied separately as required

STANDARD SIZES & PACKAGE QUANTITIES

STANDARD WIDTH (W)

	24	32	48	
STANDARD HEIGHT (H)	6	16	12	8
	8	12	9	6
	12	8	6	4
	16	6	9	3
	24	4	3	2
	32	3	3	1
	48	2	1	1



# of holes	kick plate size
6	24 x 6 to 24 x 16
8	24 x 24, 32 x 6 to 32 x 16, 48 x 6 to 48 x 16
10	32 x 24 to 48 x 24, 24 x 32, 24 x 48
12	32 x 32 to 48 x 48

*Dimensions are specified as Width x Height

OPTIONAL DRILLING

Customer:	Project:	KPA-60
Architect:	Sales Rep:	